

# SMART KING

*Pure sine wave output for any critical load*

- Line interactive design
- Boost and buck AVR
- Overload, on-line, battery status LED or LCD display
- Hot swappable battery replacement by users
- Fully digitized microprocessor controlled
- Smart RS-232 communication port
- Lightning and surge protection
- Short circuit and overload protection
- 50/60Hz frequency auto sensing
- Tel/modem internet spike protection
- Site wiring fault warning \*
- Smart power management with software
- Load/Battery power meter display
- Advanced battery management (ABM)
- Energy saving (UPS sleep mode)
- Cold start (DC power on)
- SNMP capability (option)
- USB capability (option)
- Extend backup time by adding ext. battery packs \*\*
- Built in fast charger (nominal : 3.5A, 1.5A~8A adjustable) \*\*/\*\*\*
- Backup time depends on quantities of connected ext. battery packs \*\*\*

\* feature only for 100V/110V/115V models

\*\* XL models      \*\*\* AL models



includes  
**FREE SOFTWARE  
CD-ROM**



SMK-600~3000A-RM (2U)(3U)



SMK-600A~3000A-RM (3U)  
With Extended Battery Pack for SXL Model

**New Product**



SXL-5100A  
Now available



(For SMK-3000A-LED/LCD only)

SMK-600/800/1000/1250/1500/2000/2500/3000A



Complete Power Solution™

ISO 9001 Certified Company



Powercom SMART KING UPS provides the most reliable protection for mini-computers, business critical networking file servers, networking switches, hubs and telecommunication equipments from transient surges, voltage fluctuations and power blackouts. Rack mount styles are also available for customer's choice for rack optimized servers and other networking applications.

Powercom Smart King UPS comes in LED or LCD front panel for easy status displaying. Smart King AL and XL Series provide continuous rated capacity for continuous backup. The main unit of SMK AL series UPS excludes the internal batteries and is capable of connecting external batteries to support longer backup time while XL series unit includes internal batteries to provide the longer backup time.

With UPSMON software included in the package for servers and workstations, IT administrators can provide safe system shutdown and advanced UPS management (all major operating systems supported). SMK Series also supports SNMP card expansion to provide more powerful web management features on the UPS. Other than that, the Advanced Battery Management (ABM) ensures a highly reliable and available power solution with Powercom Smart King Series.

Powercom Smart king Series is always the best choice for your power solution.



SXL-3000A-RM (4U)



SXL-1000/1500/2000A-RM (3U)



SXL-1000~3000A-RM (3U)

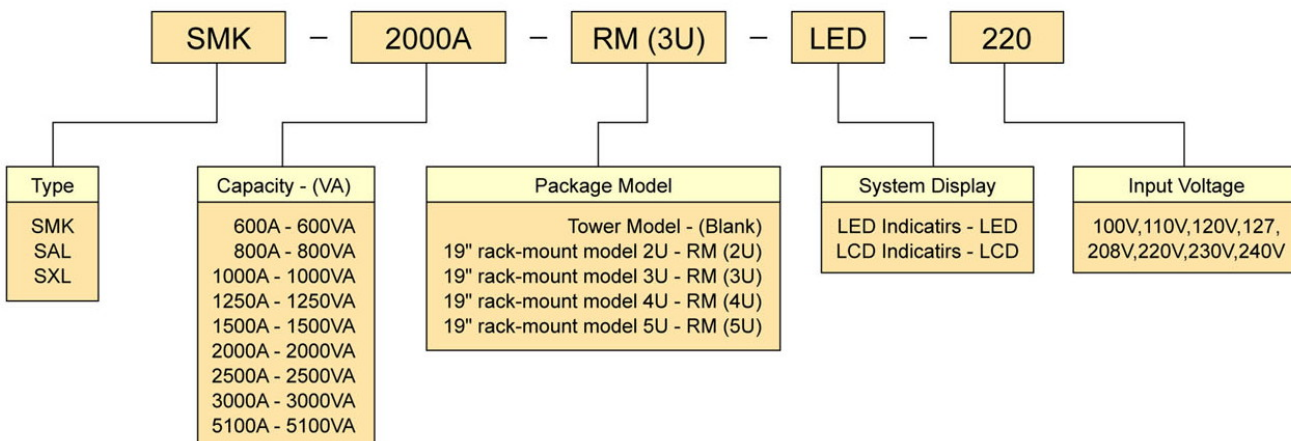


SXL-1000A

SXL-1500A/2000A

SXL-3000A

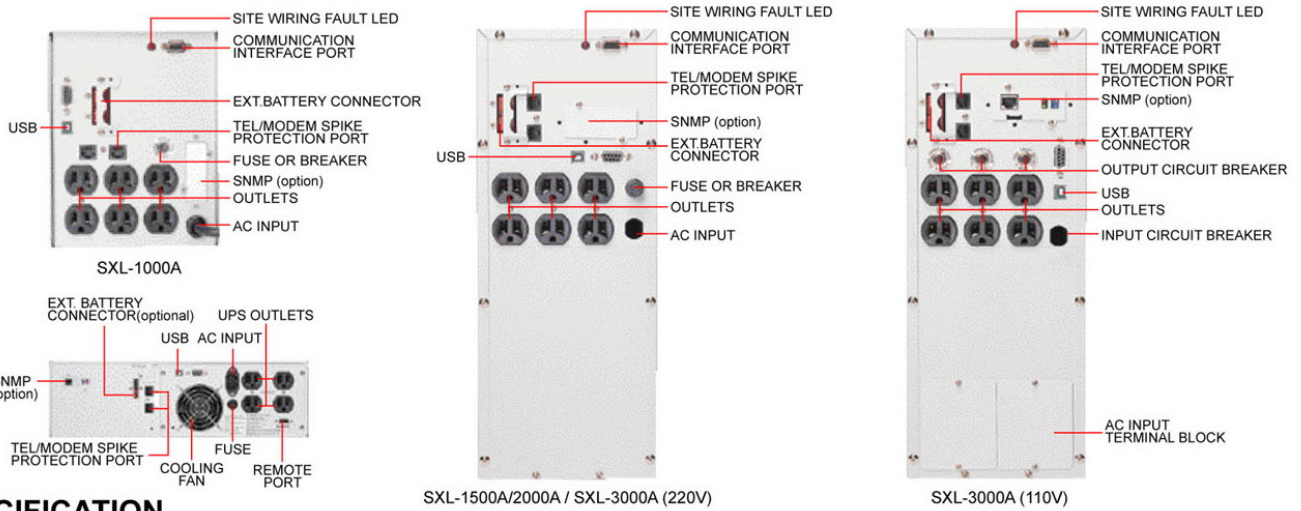
### Ordering Information :



SMART KING



# XL Series :

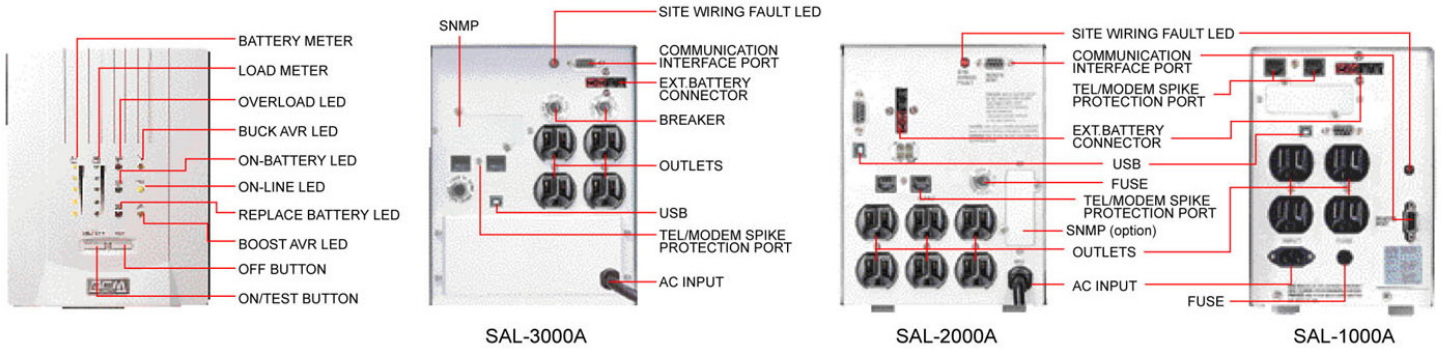


## SPECIFICATION

Tower Model		SXL-1000A	SXL-1500A	SXL-2000A	SXL-3000A	SXL-5100A
19" Rack-mont Model		SXL-1000A-RM(3U)	SXL-1500A-RM(3U)	SXL-2000A-RM(3U)	SXL-3000A-RM(4U)	SXL-5100A-RM(5U)
INPUT	Capacity	1000VA	1500VA	2000VA	3000VA	5100VA
	Voltage	+/-25% at line input, single phase				
	Frequency	50 or 60Hz +/-5Hz (auto sensing)				
OUTPUT	Voltage (on battery)	Pure sine wave at +/-5% of nominal, -10% of nominal after low battery warning				
	Frequency (on battery)	50 or 60Hz +/-0.5%				
	Voltage Regulation(AVR)	AVR automatically increase output voltage 15% above input voltage if -9% to -25% of nominal. AVR decrease output voltage 15% below input voltage if +9% to +25% of nominal				
PROTECTION and FILTERING	Spike Protection	320 Joules, 2ms				
	Unit Input	Fuse for 110V models Except 3000A, breaker for 220V models Except 1000A				
	EMI/RFI filter	10dB at 0.15MHz, 50 dB at 30MHz				
	Overload Protection	UPS automatic shutdown if overload exceeds 110% of nominal at 20 seconds and 125% at 5 seconds.				
	Transfer Time	6~8 milliseconds (typical), including detection time				
	Short Circuit	UPS output cut off immediately or input fuse(or breaker) protection				
BATTERY	Tower	12V / 7.2AH	12V / 17AH	12V / 17AH	12V / 17AH	12V / 17AH
	19" Rack-mont Model	12V / 7.2AH	12V / 34W	12V / 34W	12V / 51W	12V / 17AH
	Protection	Automatic self-test & discharge protection, Replace battery indicator				
	Back up time	It depends on connecting loads and external battery packs				
	Built in fast charger	Nominal : 5.5A, 3.5A~8A adjustable				
NET WEIGHT kg (lbs)	Tower	28 (61.6 lb)	46 (101.2 lb)	50 (110 lb)	57 (125.4 lb)	81.8 (179.9 lb)
	19" Rack-mont Model	31.5 (69.3 lb)	27.6 (60.7 lb)	31.5 (69.3 lb)	51.5 (113.3 lb)	81.8 (179.9 lb)
DIMENSION W x D x H (mm)	Tower	170 x 450 x 215 (6.7" x 17.7" x 8.8")	170 x 480 x 430 (6.7" x 18.9" x 16.9")		170 x 550 x 430 (6.7"x21.6"x16.9")	214 x 710 x 500 (8.4"x27.9" x19.7")
	19" Rack-mont Model	483 x 560 x 130 (19.0" x 22.0" x 5.1")		483 x 560 x 178 (19.0"x22.0"x7.0")		483 x 710 x 214 (19.0"x27.9"x8.4")
SYSTEM DISPLAY	LED Indicators	Battery capacity, load capacity, overload, back up, replace battery, buck AVR, line normal, boost AVR				
	LCD Indicators	Indicate line, bypass, inv, backup, fault, bat capacity, load capacity, I/P frequency, O/P voltage, O/P frequency, inside temperature, fault statuts, load				
ALARM	Battery Back-up	Slow beeping sound (about 0.25Hz)				
	Battery Low	Rapid beeping sound (about 1.00Hz)				
	Overload	Continue beeping sound				
INTERFACE	Dry contact	Sends AC fail and battery low signals, and receives shutdown signal from computer.				
	RS232	Detect battery low, Schedule UPS on/off, AC input/output power status display.				
	Option	Novell, SNMP, Windows NT, Windows 95/98/2000/ME				
ENVIRONMENT	Ambient operation	3,500 meters max. elevation, 0-95% humidity non-condensing, 0-48 deg C				
	Audible noise	<40dBA	<45dBA (1 meter from surface)			
	Storage condition	15,000meters max. elevation				



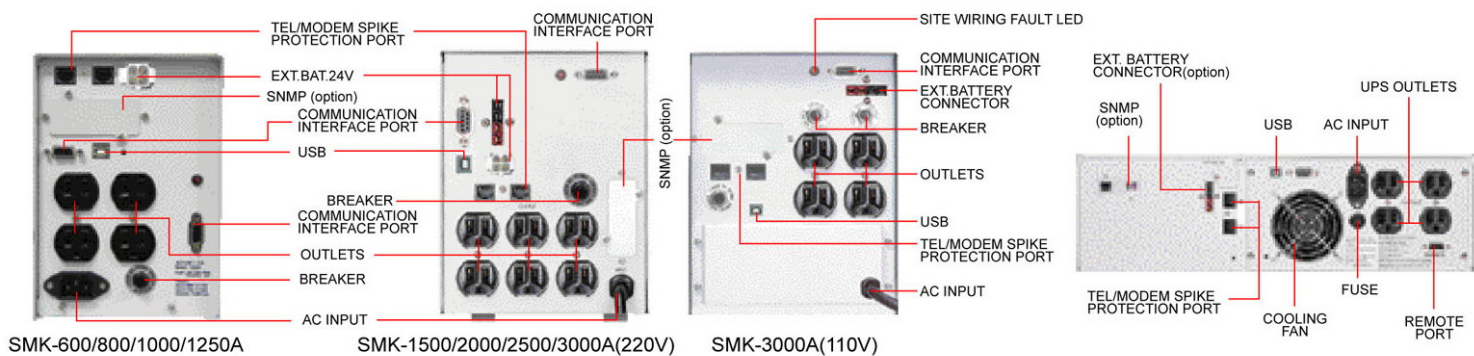
# AL Series :



## SPECIFICATION

Extended Run-time Model (Battery Excluded)		SAL-1000A	SAL-2000A	SAL-3000A
INPUT	Capacity	1000VA	2000VA	3000VA
	Voltage	+/-25% at line input, single phase		
	Frequency	50 or 60Hz +/-5Hz (auto sensing)		
OUTPUT	Voltage (on battery)	Pure sine wave at +/-5% of nominal, -10% of nominal after low battery warning		
	Frequency (on battery)	50 or 60Hz +/-0.5%		
	Voltage Regulation(AVR)	AVR automatically increase output voltage 15% above input voltage if -9% to -25% of nominal. AVR decrease output voltage 15% below input voltage if +9% to +25% of nominal		
PROTECTION and FILTERING	Spike Protection	320 Joules, 2ms		
	Unit Input	Fuse for 110V models Except 3000A, breaker for 220V models Except 1000A		
	EMI/RFI filter	10dB at 0.15MHz, 50 dB at 30MHz		
	Overload Protection	UPS automatic shutdown if overload exceeds 110% of nominal at 20 seconds and 125% at 5 seconds.		
	Transfer Time	6~8 milliseconds (typical), including detection time		
	Short Circuit	UPS output cut off immediately or input fuse(or breaker) protection		
BATTERY	Operation Voltage	24VDC	48VDC	48VDC
	Protection	Automatic self-test & discharge protection, Replace battery indicator		
	Back up time	It depends on connecting loads and external battery packs		
	Built in fast charger	Nominal : 5.5A, 3.5A~8A adjustable		
NET WEIGHT kg (lbs)	Tower	10 (22 lb)	19.5 (42.9 lb)	26.8 (58.96 lb)
	DIMENSION W x D x H (mm)	140 x 436 x 210 (5.5" x 17.2" x 8.3")	170 x 450 x 226 (6.7" x 17.7" x 8.9")	170 x 580 x 226 (6.7" x 22.8" x 8.9")
SYSTEM DISPLAY	LED Indicators	Battery capacity, load capacity, overload, back up, replace battery, buck AVR, line normal, boost AVR		
	LCD Indicators	Indicate line, bypass, inv, backup, fault, bat capacity, load capacity, I/P frequency, O/P voltage, O/P frequency, inside temperature, fault status, load		
ALARM	Battery Back-up	Slow beeping sound (about 0.25Hz)		
	Battery Low	Rapid beeping sound (about 1.00Hz)		
	Overload	Continue beeping sound		
INTERFACE	Dry contact	Sends AC fail and battery low signals, and receives shutdown signal from computer.		
	RS232	Detect battery low, Schedule UPS on/off, AC input/output power status display.		
	Option	Novell, SNMP, Windows NT, Windows 95/98/2000/ME		
ENVIRONMENT	Ambient operation	3,500 meters max. elevation, 0-95% humidity non-condensing, 0-48 deg C		
	Audible noise	<40dBA (1 meter from surface)	<40dBA (1 meter from surface)	
	Storage condition	15,000meters max. elevation		





## SPECIFICATION

Tower Model		SMK-600A	SMK-800A	SMK-1000A	SMK-1250A	SMK-1500A
19" Rack-mont Model (2U)		SMK-600A-RM(2U)	SMK-800A-RM(2U)	SMK-1000A-RM(2U)	SMK-1250A-RM(2U)	SMK-1500A-RM(2U)
19" Rack-mont Model (3U)		SMK-600A-RM(3U)	SMK-800A-RM(3U)	SMK-1000A-RM(3U)	SMK-1250A-RM(3U)	SMK-1500A-RM(3U)
INPUT	Capacity	600VA	800VA	1000VA	1250VA	1500VA
	Voltage	+/-25% at line input, single phase				
	Frequency	50 or 60Hz +/-5Hz (auto sensing)				
OUTPUT	Voltage (on battery)	Pure sine wave at +/-5% of nominal, -10% of nominal after low battery warning				
	Frequency (on battery)	50 or 60Hz +/-0.5%				
	Voltage Regulation(AVR)	AVR automatically increase output voltage 15% above input voltage if -9% to -25% of nominal. AVR decrease output voltage 15% below input voltage if +9% to +25% of nominal				
PROTECTION and FILTERING	Spike Protection	320 Joules, 2ms				
	Unit Input	Fuse for 110V models Except 3000A, breaker for 220V models Except 1000A				
	EMI/RFI filter	10dB at 0.15MHz, 50 dB at 30MHz				
	Overload Protection	UPS automatic shutdown if overload exceeds 110% of nominal at 20 seconds and 125% at 5 seconds.				
	Transfer Time	6~8 milliseconds (typical), including detection time				
	Short Circuit	UPS output cut off immediately or input fuse(or breaker) protection				
BATTERY	Back up time (one PC and one 15" monitor)	≅ 50 min	≅ 50 min	≅ 50 min	≅ 45 min	≅ 75 min
	Protection	Automatic self-test & discharge protection, Replace battery indicator				
	Type	Hot swappable, sealed, maintenance-free lead acid, with 3-6 years lifetime				
	Typical Recharge Time	4 hours (to 90% of full capacity)				
NET WEIGHT kg (lbs)	Tower	13.8 (30.4 lb)	14.5 (31.9 lb)	15.0 (33.0 lb)	15.8 (34.8 lb)	25.0 (55.0 lb)
	19" Rack-mont Model (2U)	15.7 (34.5 lb)	18.0 (39.6 lb)	20.0 (44.5 lb)	23.5 (51.7 lb)	26.1 (57.4 lb)
	19" Rack-mont Model (3U)		18.0 (39.6 lb)	20.0 (44.5 lb)	23.5 (51.7 lb)	26.1 (57.4 lb)
DIMENSION W x D x H (mm)	Tower	140 x 436 x 210 (5.5" x 17.2" x 8.3")				170 x 450 x 226 (6.7" x 17.7" x 8.9")
	19" Rack-mont Model (2U)	483 x 430 x 84 (19.0" x 16.9" x 3.3")				483 x 540 x 84 (19.0" x 21.2" x 3.3")
	19" Rack-mont Model (3U)	483 x 381 x 130 (19.0" x 15.0" x 5.1")				483 x 381 x 130 (19.0" x 15.0" x 5.1")
SYSTEM DISPLAY	LED Indicators	Battery capacity, load capacity, overload, back up, replace battery, buck AVR, line normal, boost AVR				
	LCD Indicators	Indicate line, bypass, inv, backup, fault, bat capacity, load capacity, I/P frequency, O/P voltage, O/P frequency, inside temperature, fault statuts, load				
ALARM	Battery Back-up	Slow beeping sound (about 0.25Hz)				
	Battery Low	Rapid beeping sound (about 1.00Hz)				
	Overload	Continue beeping sound				
INTERFACE	Dry contact	Sends AC fail and battery low signals, and receives shutdown signal from computer.				
	RS232	Detect battery low, Schedule UPS on/off, AC input/output power status display.				
	Option	Novell, SNMP, Windows NT, Windows 95/98/2000/ME				
ENVIRONMENT	Ambient operation	3,500 meters max. elevation, 0-95% humidity non-condensing, 0-48 deg C				
	Audible noise	<40dBA			<45dBA (1 meter from surface)	
	Storage condition	15,000meters max. elevation				



## SPECIFICATION

Tower Model		SMK-2000A	SMK-2500A	SMK-3000A*
19" Rack-mont Model (2U)		SMK-2000A-RM(2U)	SMK-2500A-RM (2U)	SMK-3000A-RM (2U)
19" Rack-mont Model (3U)		SMK-2000A-RM(3U)	SMK-2500A-RM (3U)	SMK-3000A-RM (3U)
INPUT	Capacity	2000VA	2500VA	3000VA
	Voltage	+/-25% at line input, single phase		
	Frequency	50 or 60Hz +/-5Hz (auto sensing)		
OUTPUT	Voltage (on battery)	Pure sine wave at +/-5% of nominal, -10% of nominal after low battery warning		
	Frequency (on battery)	50 or 60Hz +/-0.5%		
	Voltage Regulation(AVR)	AVR automatically increase output voltage 15% above input voltage if -9% to -25% of nominal. AVR decrease output voltage 15% below input voltage if +9% to +25% of nominal		
PROTECTION and FILTERING	Spike Protection	320 Joules, 2ms		
	Unit Input	Fuse for 110V models Except 3000A, breaker for 220V models Except 1000A		
	EMI/RFI filter	10dB at 0.15MHz, 50 dB at 30MHz		
	Overload Protection	UPS automatic shutdown if overload exceeds 110% of nominal at 20 seconds and 125% at 5 seconds.		
	Transfer Time	6~8 milliseconds (typical), including detection time		
	Short Circuit	UPS output cut off immediately or input fuse(or breaker) protection		
BATTERY	Back up time (one PC and one 15" monitor)	≈ 120 min	≈ 110 min	≈ 290 min
	Protection	Automatic self-test & discharge protection, Replace battery indicator		
	Type	Hot swappable, sealed, maintenance-free lead acid, with 3-6 years lifetime		
	Typical Recharge Time	4 hours (to 90% of full capacity)		
NET WEIGHT kg (lbs)	Tower	30.0 (66.0 lb)	30.0 (66.0 lb)	19.8 (43.6 lb)
	19" Rack-mont Model (2U)	43.2 (95.0 lb)		
	19" Rack-mont Model (3U)	28.4 (62.5 lb)		
DIMENSION W x D x H (mm)	Tower	170 x 450 x 226 (6.7" x 17.7" x 8.9")	170 x 580 x 226 (6.7" x 22.8" x 8.9")	170 x 450 x 226 (6.7" x 17.7" x 8.9")
	19" Rack-mont Model (2U)	483 x 615 x 84 (19.0" x 24.2" x 3.3")		
	19" Rack-mont Model (3U)	483 x 381 x 130 (19.0" x 15.0" x 5.1")		
SYSTEM DISPLAY	LED Indicators	Battery capacity, load capacity, overload, back up, replace battery, buck AVR, line normal, boost AVR		
	LCD Indicators	Indicate line, bypass, inv, backup, fault, bat capacity, load capacity, I/P frequency, O/P voltage, O/P frequency, inside temperature, fault statuts, load		
ALARM	Battery Back-up	Slow beeping sound (about 0.25Hz)		
	Battery Low	Rapid beeping sound (about 1.00Hz)		
	Overload	Continue beeping sound		
INTERFACE	Dry contact	Sends AC fail and battery low signals, and receives shutdown signal from computer.		
	RS232	Detect battery low, Schedule UPS on/off, AC input/output power status display.		
	Option	Novell, SNMP, Windows NT, Windows 95/98/2000/ME		
ENVIRONMENT	Ambient operation	3,500 meters max. elevation, 0-95% humidity non-condensing, 0-48 deg C		
	Audible noise	<45dBA (1 meter from surface)		
	Storage condition	15,000meters max. elevation		

\* SMK-3000A(BATTERY)=Net Weight:25.6kg (56.32lb) • Dimension:170x450x226 mm (6.7"x17.7"x8.9")

**Available Through:**

### UPSMON plus Power Management Software



OUTPUT RECEPTACLE OPTION



DM-SMK600-5100-050520